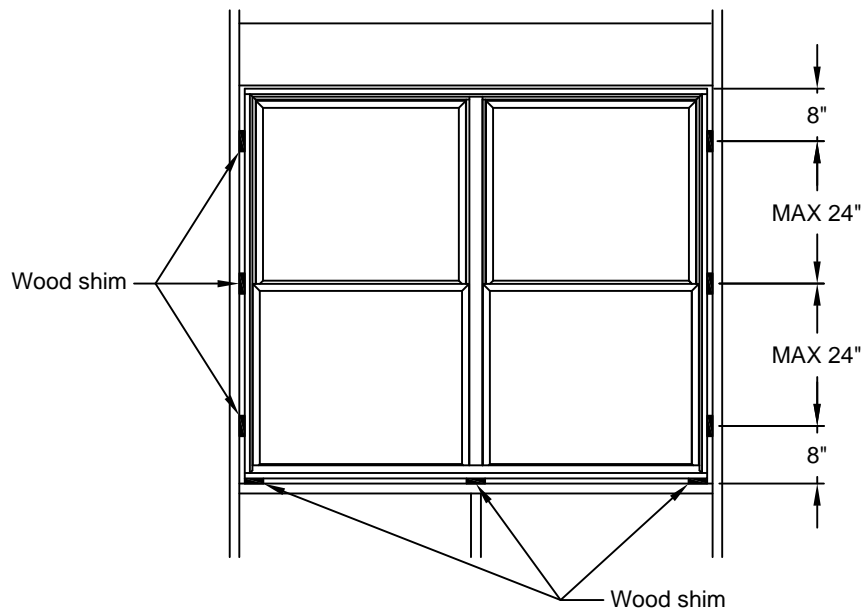


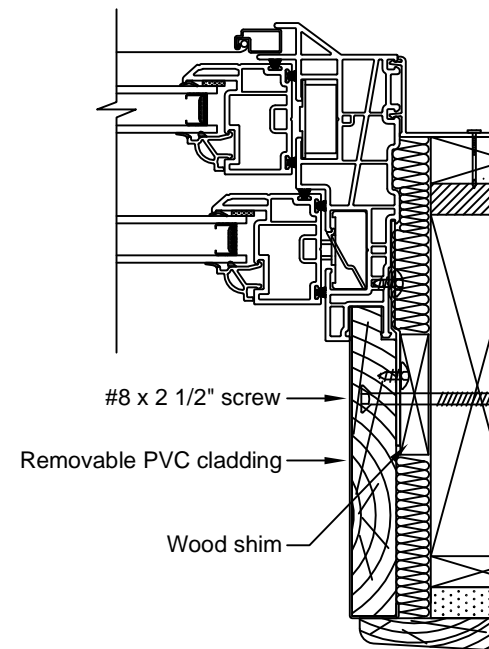
# INSTALLATION INSTRUCTIONS FOR WINDOWS

**NOTE :** before installing the window, check with building wrap manufacturer on their recommend steps to prepare the opening so it will not void their warranty.

- 1- After rough opening is prepared with building wrap, verify the rough opening is level and plumb.
- 2- When using nailing flange, run a continuous 3/8" bead of sealant around the interior side of the nail fin on side jambs and head. On the sill, leave at least a 2" gap every 8" where it will contact the rough opening.
- 3- **SILL :** Place wood shims on sill in opening where indicated (see Figure 1). Tilt window into the rough opening. The window must be fully supported by shims.
- 4- Loosely nail corners of nailing fin to temporarily hold in opening. Square, plumb and level the unit.
- 5- **SIDE JAMBS :** Place wood shims in opening where indicated (see Figure 1). Screw through the jamb extensions and wood shims (see Figure 2). For PVC clad jamb extensions, remove the cladding first and screw through wood and shims only. Depending on the width of the window, it may be necessary to put one (or more) screw at head. Remove screws caps. It is important to use a free flowing screw. Do not use wood shim at head.
- 6- After unit is properly installed through side jambs and shims, finish nailing the nail fin.



**Figure 1  
(elevation)**



**Figure 2  
(horizontal cut)**